

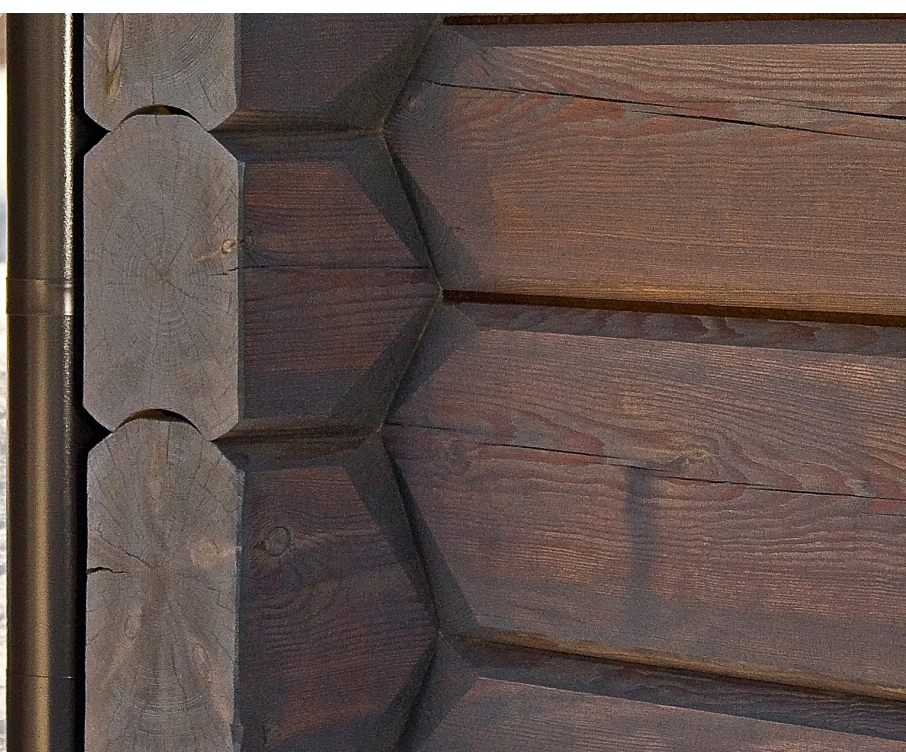


---

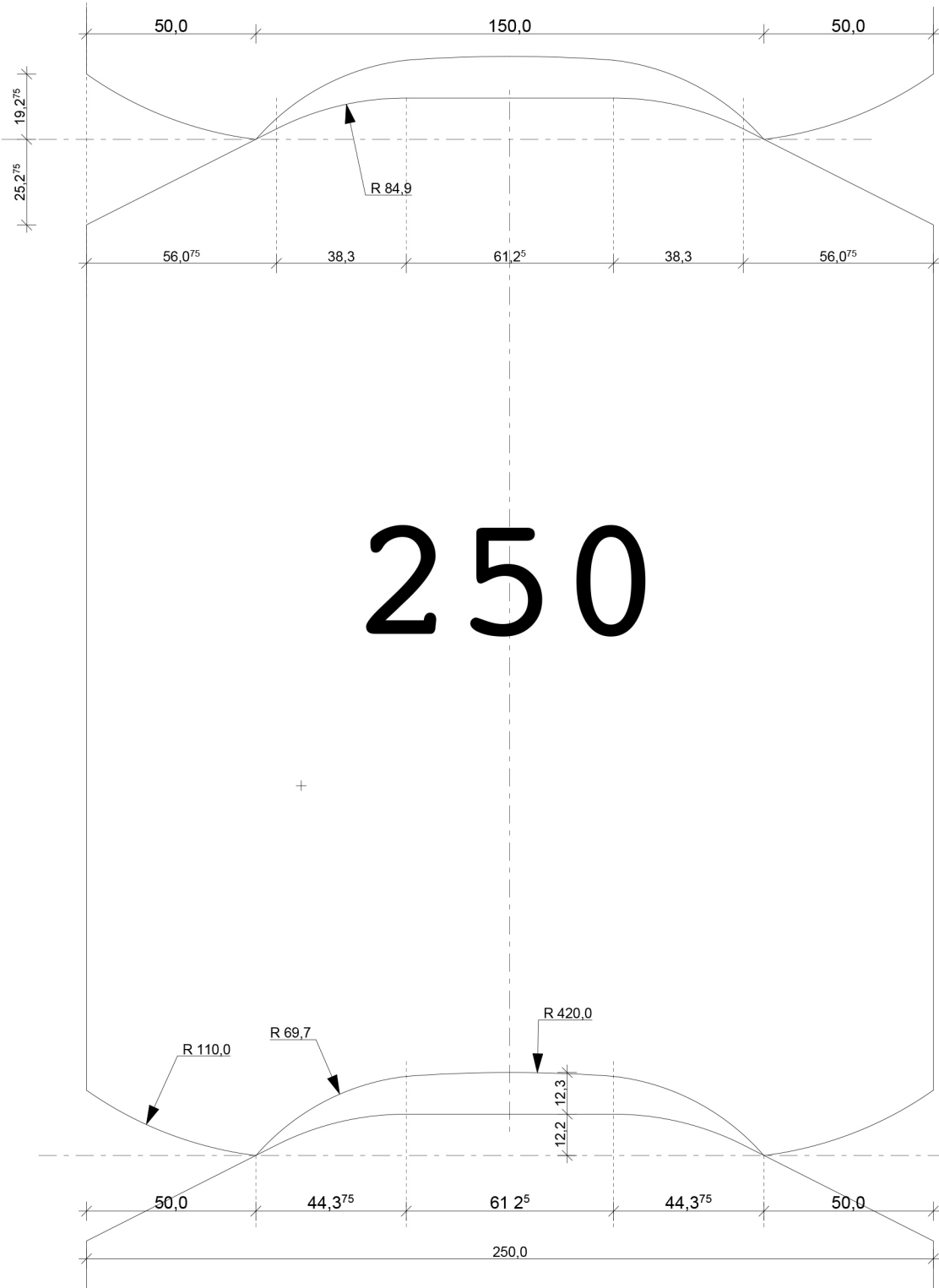
## ORIGINAL

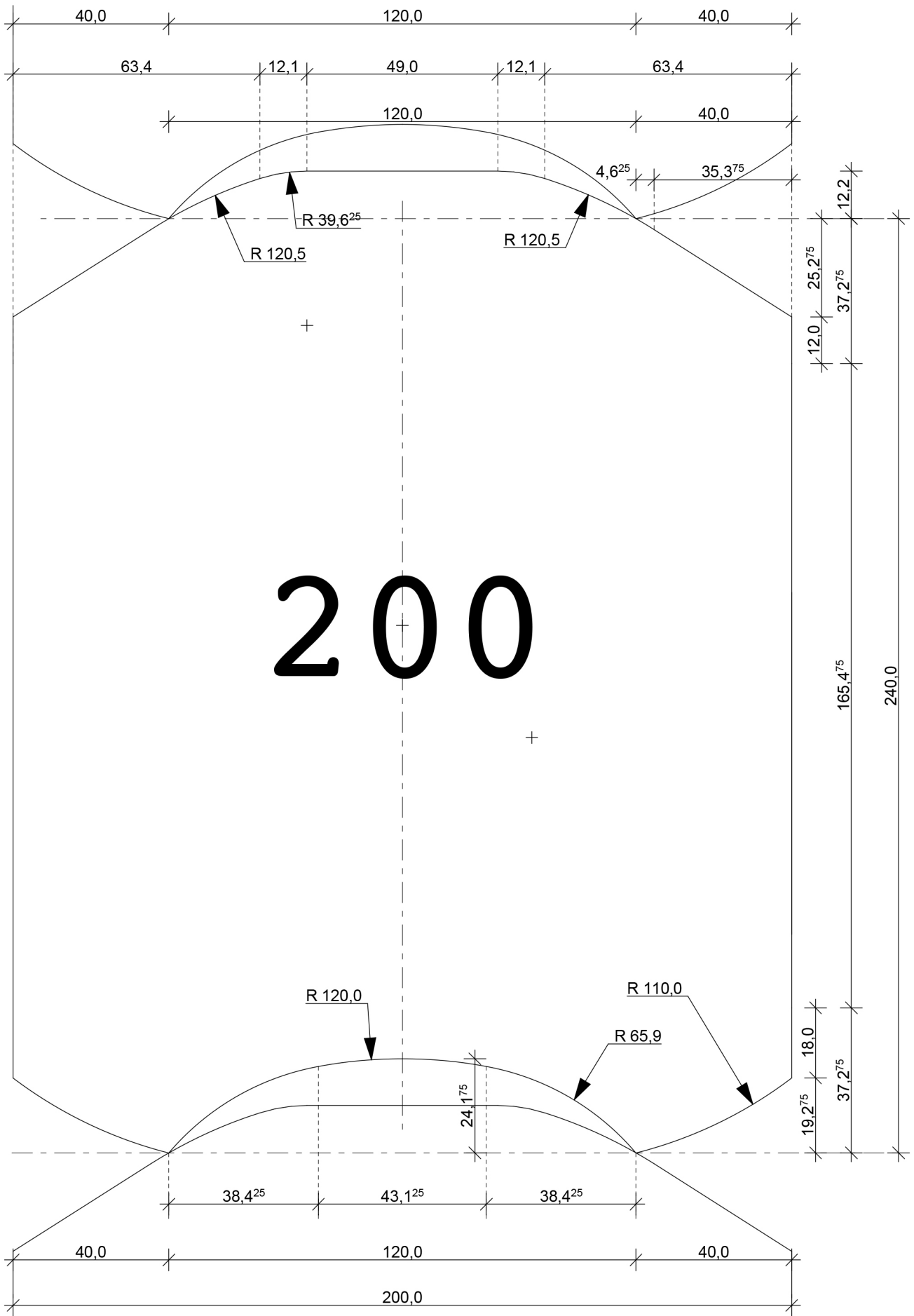
Classical, sophisticated log profile with sharp edges, extended side width, and typical shapes created during the process of hewing. The natural character of the profile is shown by its asymmetrical differences - straight lines on the top part and curved lines on the bottom part of the log. Bottom of the log is flattened on purpose to make it look visually wider. This authentic profile gives any log house a character, by proving how rigid are the walls and how tight are the corner notches.

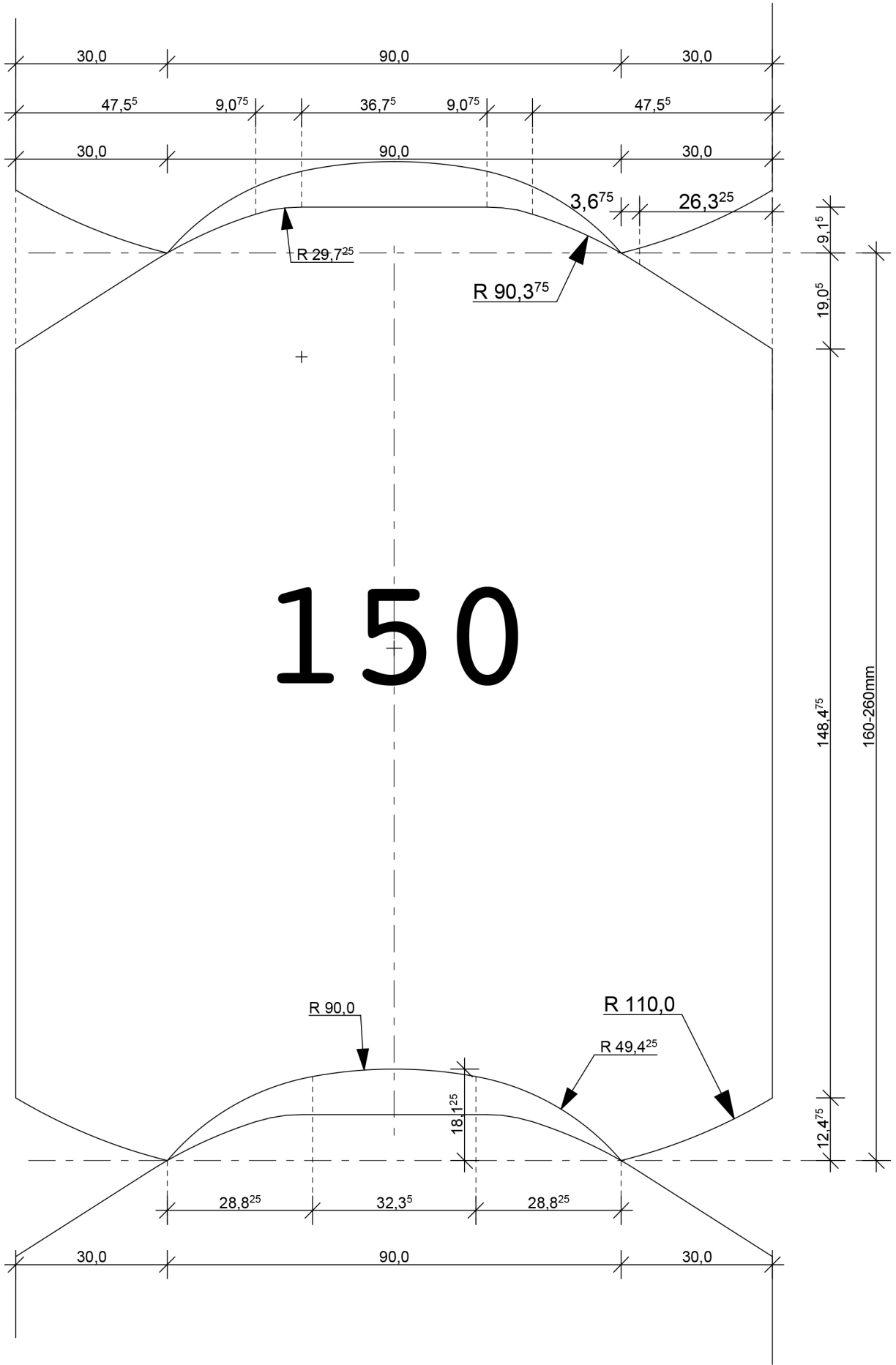




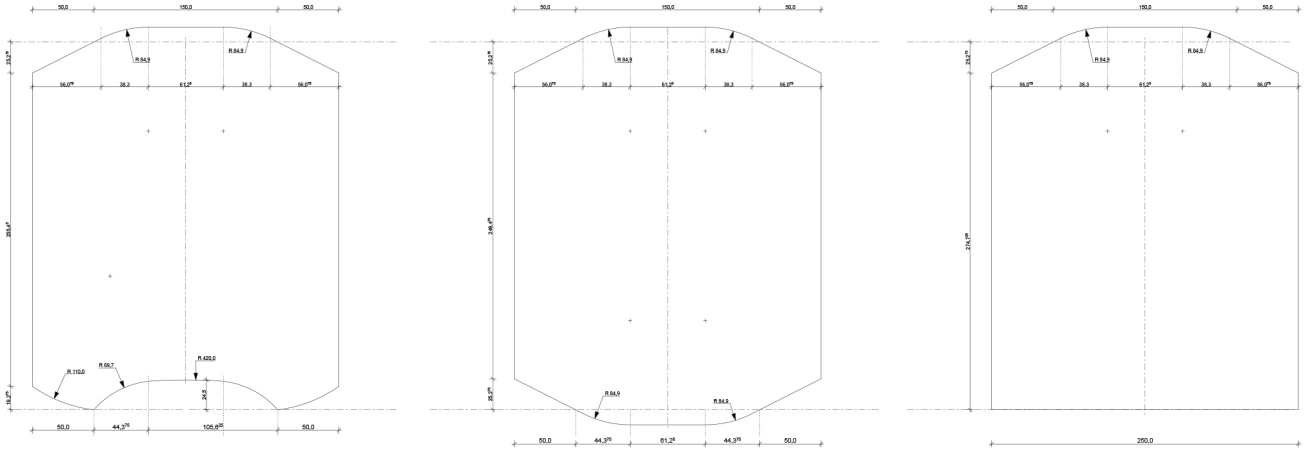




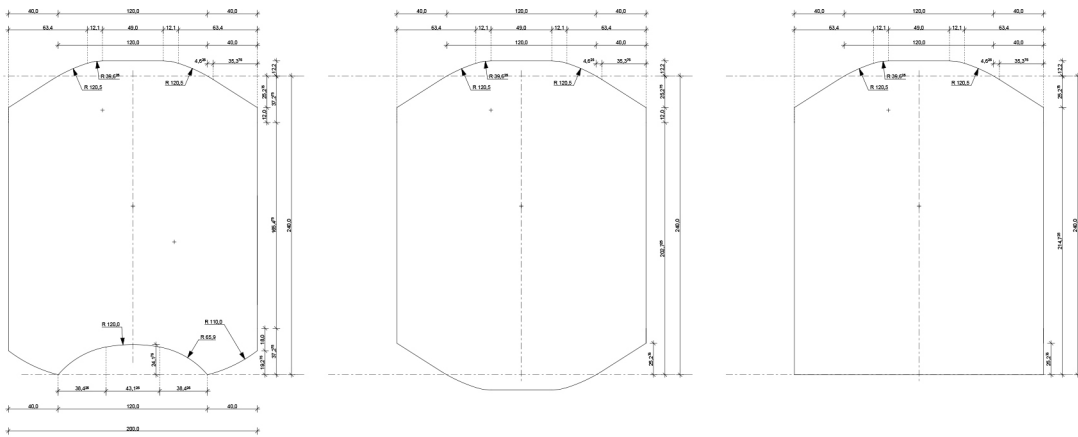




# 250



# 200



# 150

